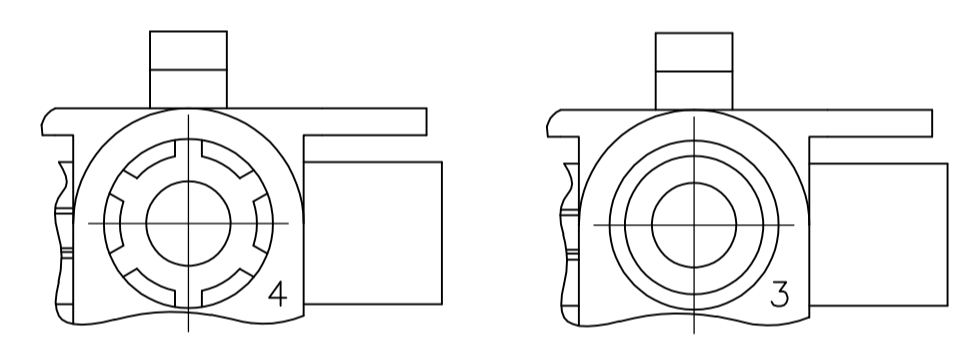
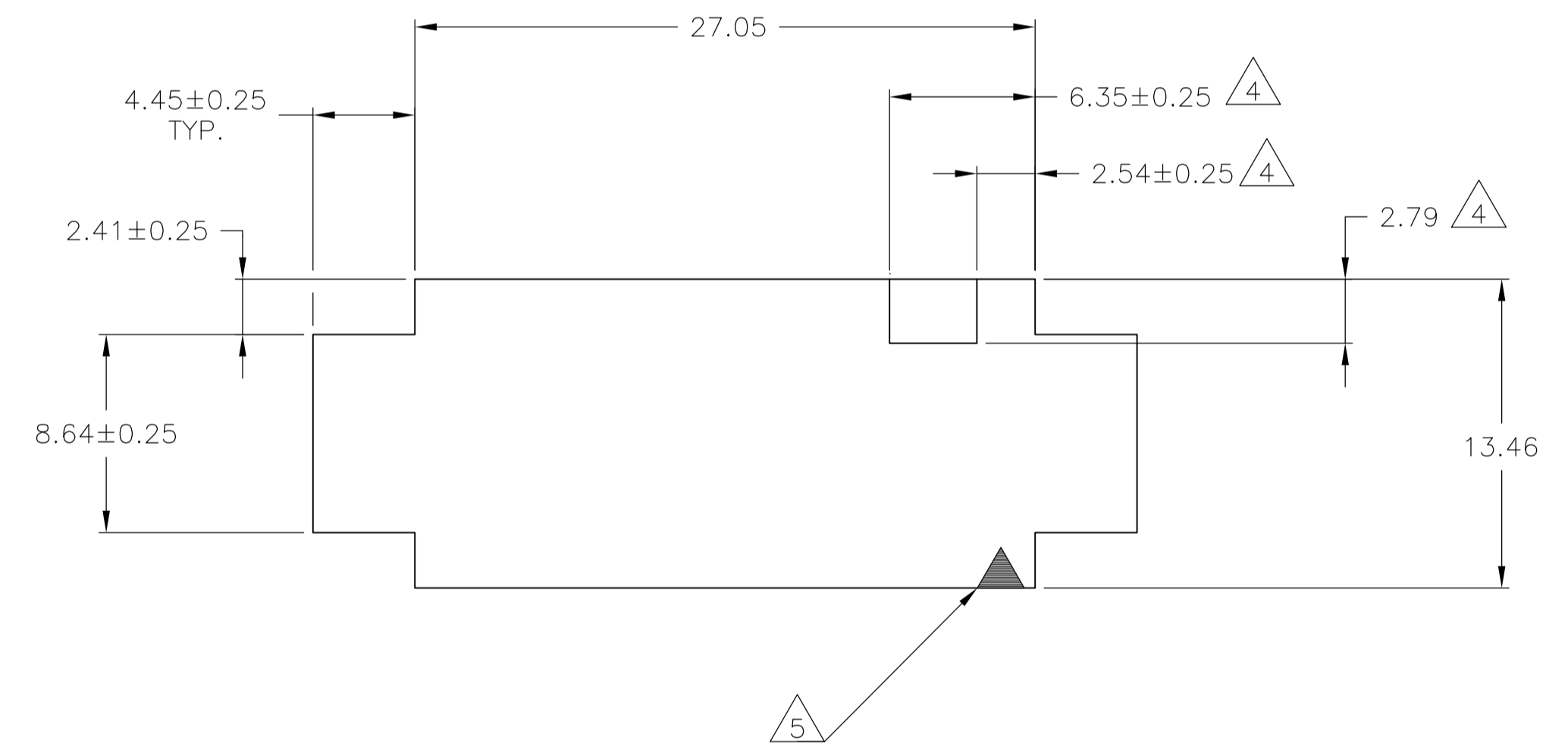
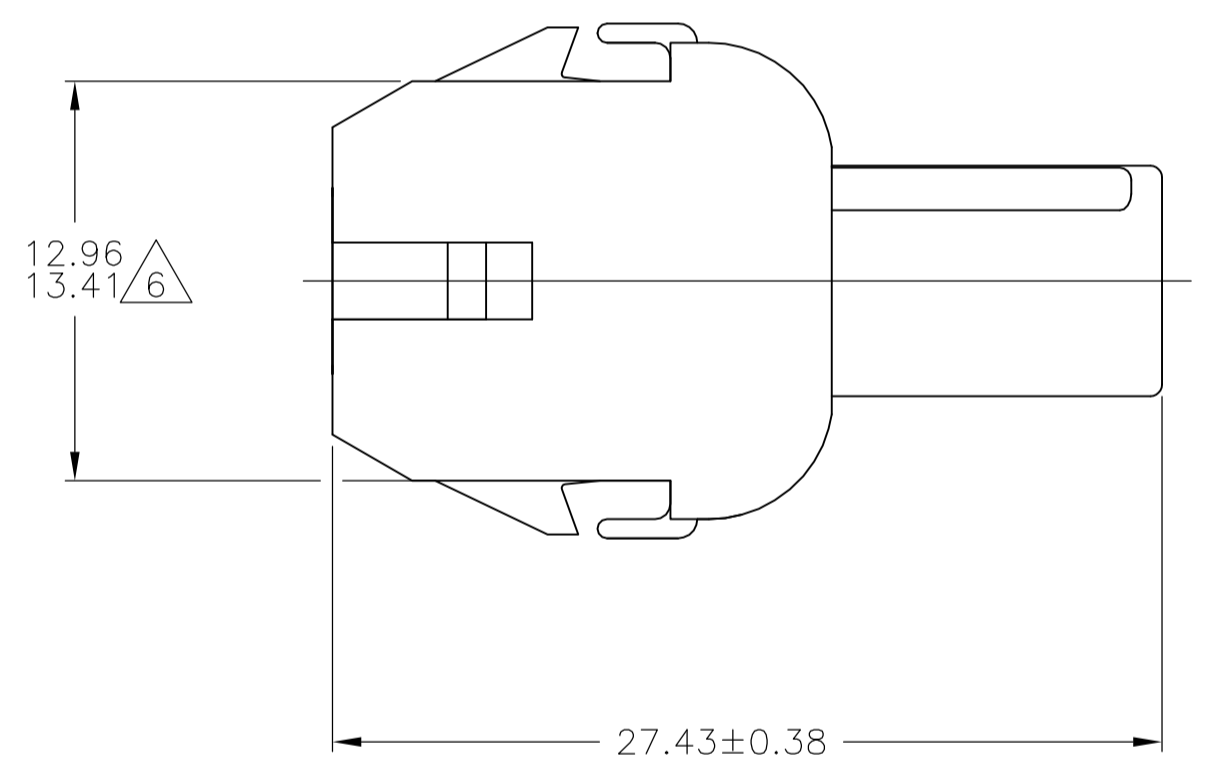


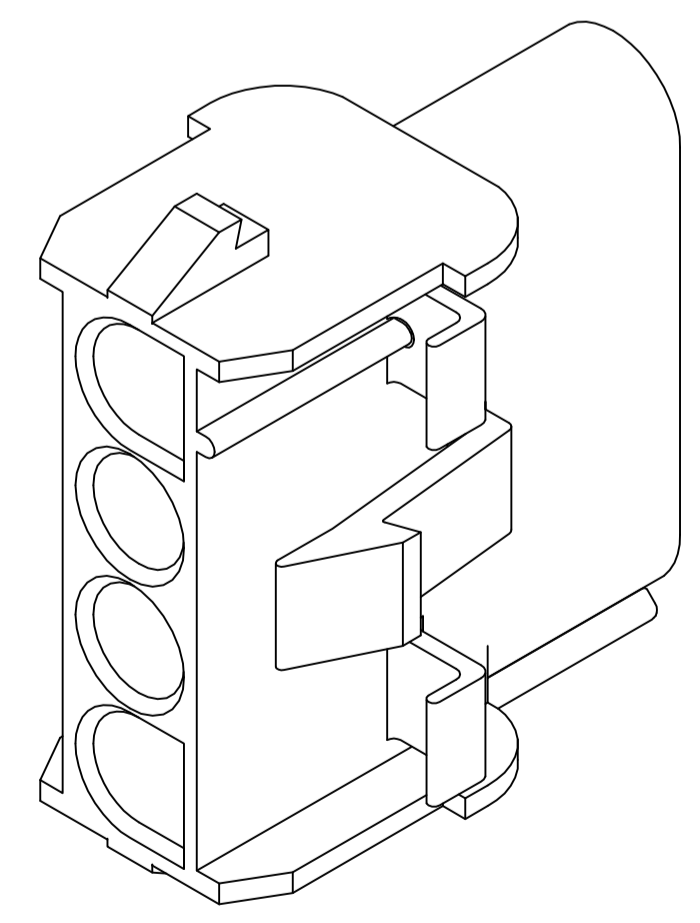
- MATES WITH APPROPRIATE UNIVERSAL MATE-N-LOK™ PLUG.
- RECOMMENDED PANEL THICKNESS 0.76 - 2.29.
- PANEL MUST BE PUNCHED SO THAT THE HOUSING ENTERS THE PANEL IN THE SAME DIRECTION AS THE PUNCH.
- OPTIONAL FOR KEYING HOUSING IN PANEL.
- CIRCUIT NUMBER 1 LOCATION.
- UPPER DIMENSION REPRESENTS POTENTIAL MAXIMUM GROWTH DUE TO MOISTURE ABSORPTION.
- FOUR RIBS EQUALLY SPACED, NO SPECIFIC ORIENTATION. NO RIBS OR SIX RIBS EQUALLY SPACED, NO SPECIFIC ORIENTATION, OPTIONAL.
- UNDERWRITERS RECOGNIZED COMPONENT LOGO AND CSA CERTIFICATION LOGO TO BE LOCATED ONCE EACH ON SIDE OF HOUSING.
- MANUFACTURING LOCATION ID (OPTIONAL).
- TRADEMARK LOCATION (AMP OR TE CONNECTIVITY).
- OBsolete PARTS: OBSOLETE CIS STREAMLINING PER D.RENAUD/D.SINISI



DETAIL A
OPTIONAL CONSTRUCTIONS



RECOMMENDED PANEL CUT OUT



3-DIMENSIONAL MODEL
NTS

7.62	.300	27.43	1.080
6.35	.250	27.10	1.067
4.45	.175	27.05	1.065
2.79	.110	26.67	1.050
2.54	.100	13.46	.530
2.41	.095	13.41	.528
2.29	.090	12.96	.510
0.76	.030	8.64	.340
0.38	.015	8.13	.320
MM	IN	MM	IN

CONVERSION TABLE

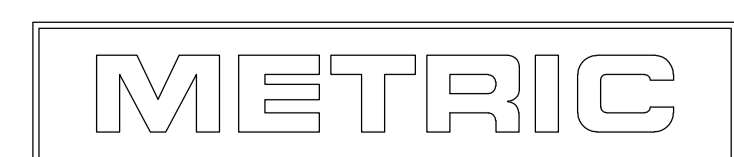
11 OBSOLETE	BLACK	1-480703-9
	GRAY	1-480703-8
	BLUE	1-480703-6
	GREEN	1-480703-5
	YELLOW	1-480703-4
	ORANGE	1-480703-3
	RED	1-480703-2
	BROWN	1-480703-1
	NATURAL	1-480703-0
	COLOR	PART NO

THIS DRAWING IS A CONTROLLED DOCUMENT.

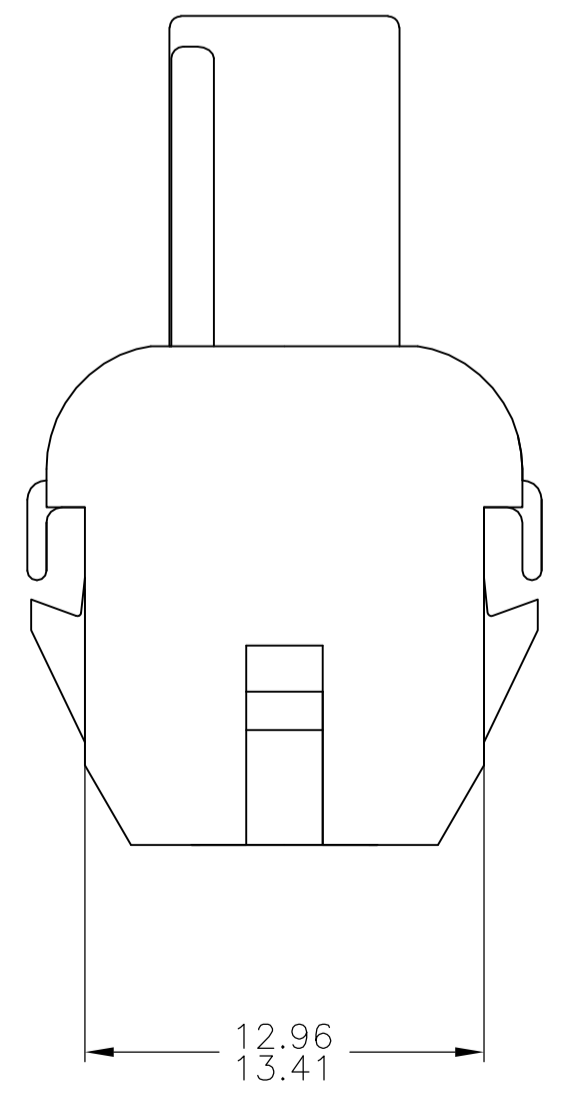
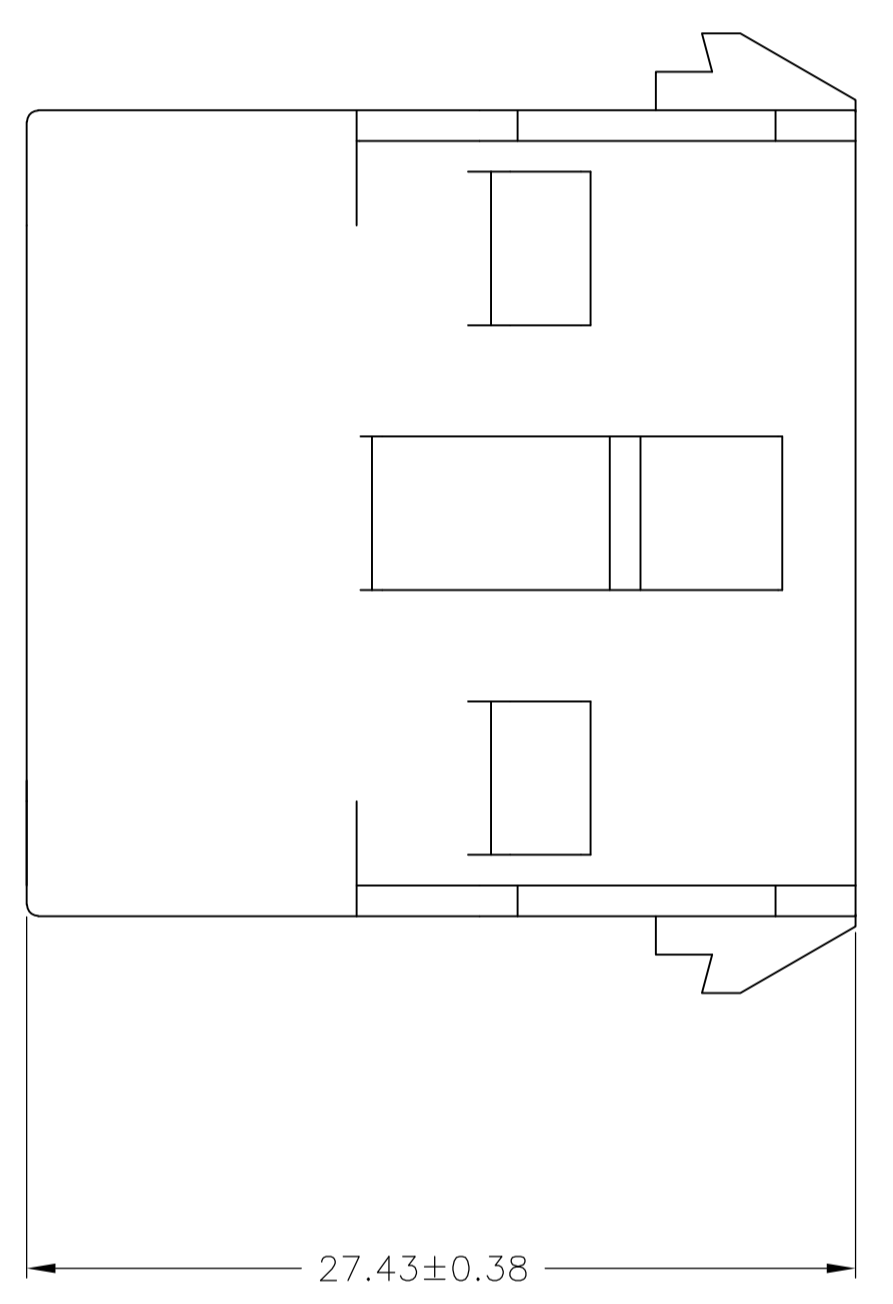
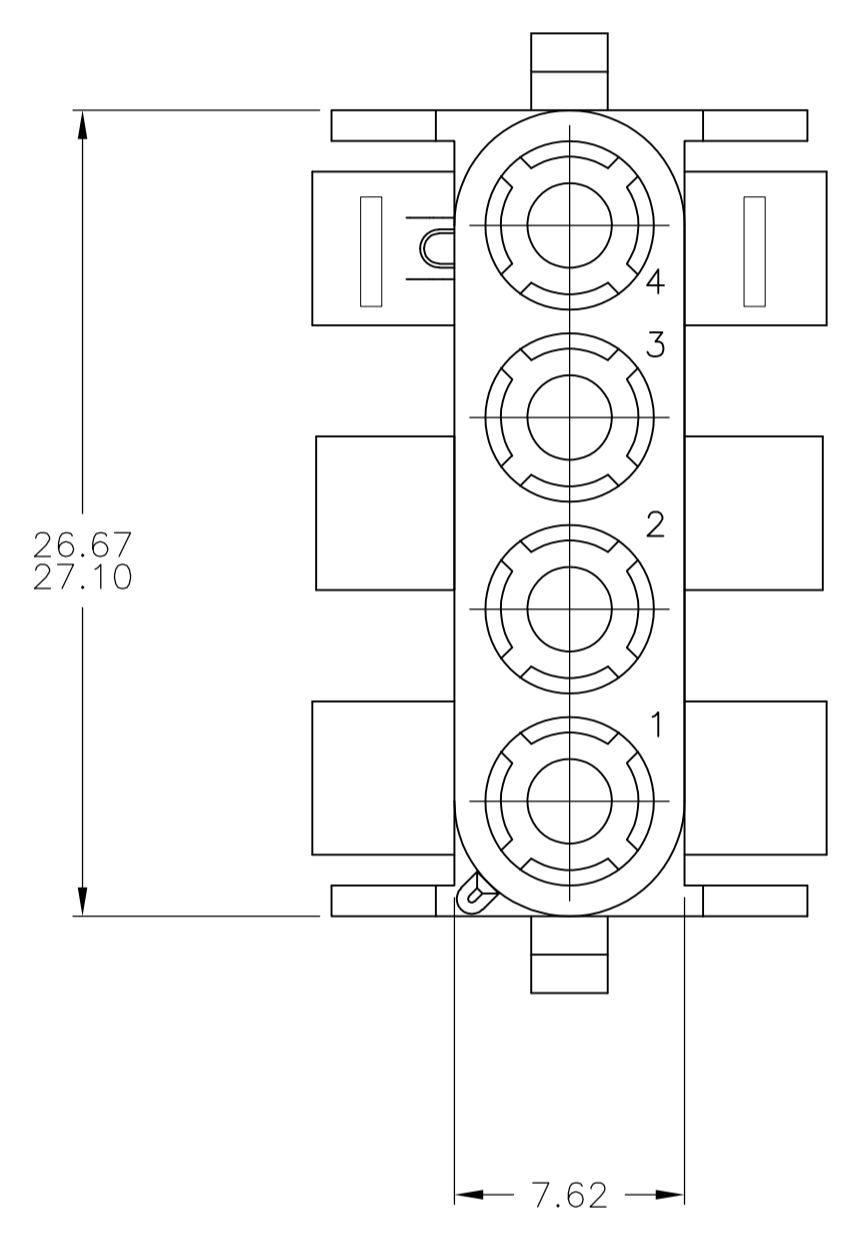
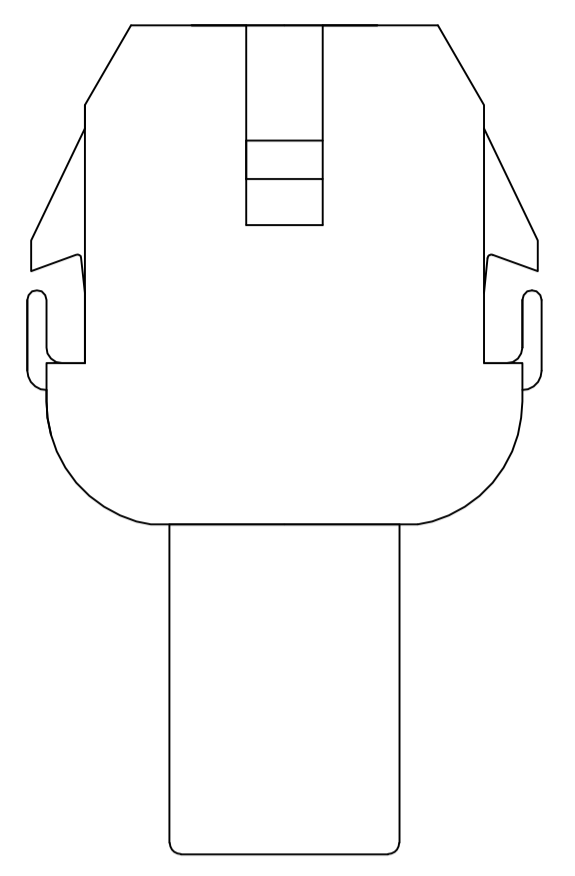
DIMENSIONS:	TOLERANCES UNLESS OTHERWISE SPECIFIED:	DIN	K. WHITAKER	28JUL04
mm	0. PLC ± -	CHK	S. RIDGILL	28JUL04
	1. PLC ± -	APVD	S. RIDGILL	28JUL04
	2. PLC ± 0.25	PRODUCT SPEC		
	3. PLC ± -	APPLICATION SPEC		
	4. PLC ± -	WEIGHT		
	ANGLES ± 0°30'	CUSTOMER DRAWING		
MATERIAL	FINISH	SIZE	CAGE CODE	DRAWING NO
NYLON, UL94V-2		A1	00779	480703

RESTRICTED TO

SCALE 4:1 SHEET 1 OF 2 REV AM3



CAP, 4 CIRCUIT,
UNIVERSAL MATE-N-LOK(TM)



1. STAMP NUMBERS 3.18 HIGH AT WIRE END OF HOUSING (12 POINT DAVID TYPE).
2. CHARACTERS TO BE STAMPED ON HOUSING IN A MANNER AS TO BE READ FROM WIRE END ONLY.
3. VIOLET, BLACK, BROWN AND BLUE COLORED BLOCKS TO BE STAMPED WITH WHITE CHARACTERS. ALL OTHER COLORED BLOCKS TO BE STAMPED WITH BLACK CHARACTERS.

MM	IN	MM	IN
8.13	.320	-	-
7.62	.300	27.43	1.080
5.08	.200	27.10	1.067
4.70	.185	26.67	1.050
3.18	.125	13.41	.528
0.38	.015	12.96	.510
MM	IN	MM	IN

CONVERSION TABLE

NATURAL	2-480703-0
COLOR	PART NO

THIS DRAWING IS A CONTROLLED DOCUMENT.		DWN: K. WHITAKER 28JUL04	TE Connectivity	
DIMENSIONS: mm		CHK: S. RIDGILL 28JUL04	NAME: CAP, 4 CIRCUIT, UNIVERSAL MATE-N-LOK(TM)	
TOLERANCES UNLESS OTHERWISE SPECIFIED:		APP'D: S. RIDGILL	PRODUCT SPEC: -	
0. PLC ± -		APPLICATION SPEC: -		
1. PLC ± -		SIZE: A1		
2. PLC ± 0.25		CAGE CODE: 00779		
3. PLC ± -		DRAWING NO: 480703		
4. PLC ± -		RESTRICTED TO: -		
ANGLES ± 0.30°		WEIGHT: -		
FINISH: -		CUSTOMER DRAWING		
MATERIAL: NYLON, UL94V-2		SCALE: 4:1		
		SHEET 2 OF 2		
		REV: AM3		

